

4

3

2

1

B

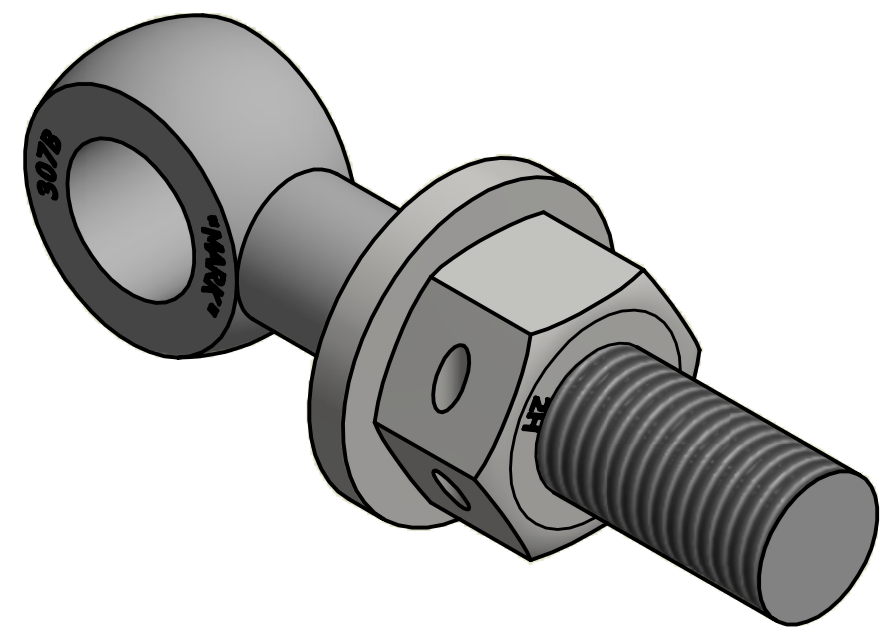
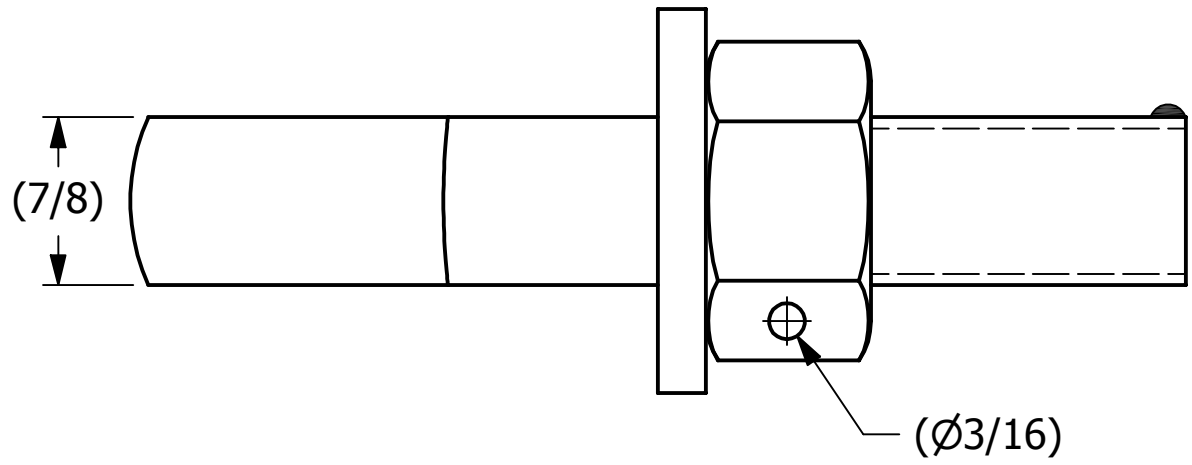
B

A

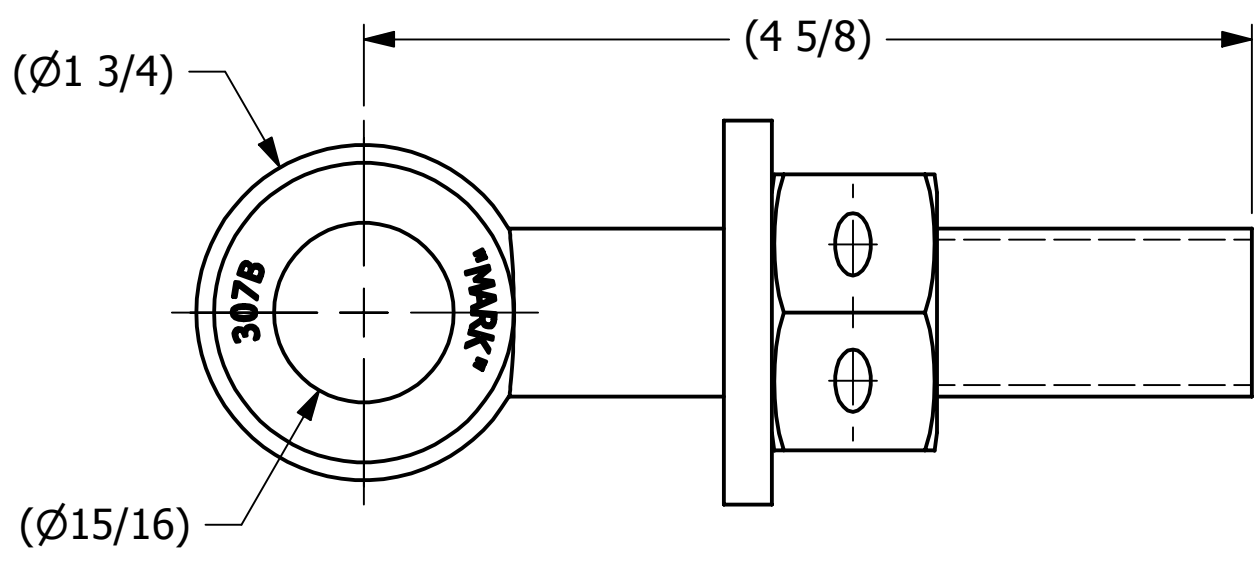
A

SALES DRAWING

SALES DRAWING



ISOMETRIC VIEW



UNLESS OTHERWISE SPECIFIED DIMENSIONAL TOLERANCES		DRAWN BY: CHL		A WEB 2-7-14 RELEASED FOR PRODUCTION	
FRACTIONAL: ±1/16	CHECKED BY: VD	REV BY DATE DESCRIPTION			
X.XX: ±.03	PROTOTYPE BY: CHL				
X.XXX: ±.015	PROTOTYPE DATE: 1/14/2014				
ANGULAR: ±1°	APPROVED FOR PRODUCTION BY: WEB	PART NAME: EYEBOLT ASSEMBLY 7/8"X4 5/8"			
DEBURR ALL SHARP EDGES. ALL MACHINED SURFACES TO HAVE A 125 RMS FINISH UNLESS NOTED OTHERWISE.	PRODUCTION DATE: 2/7/2014	MATERIAL: CARBON STEEL			
THIRD ANGLE PROJECTION		PROJECT #: 130709FR		SHEET #: 1 OF 1	
		DRAWING #: B38087		SCALE: 1:1	
		PART #: EB78458XHA			

THIS PRINT, PROPERTY OF SALCO PRODUCTS INC., CONTAINS PROPRIETARY INFORMATION AND MUST NOT BE COPIED, REPRODUCED, OR USED DETRIMENTALLY TO OUR INTEREST.